

Incremental encoders

With blind or through hollow shaft

100...5000 pulses per revolution

EIL580 - hollow shaft



EIL580 with blind hollow shaft

Technical data - electrical ratings

Voltage supply	5 VDC \pm 5 % 8...30 VDC 4.75...30 VDC
Reverse polarity protection	Yes
Short-circuit proof	Yes (HTL) Yes (TTL, max. 1 s and 1 signal)
Consumption w/o load	\leq 70 mA
Pulses per revolution	100...5000
Phase shift	90° \pm 10°
Duty cycle	40...60 %
Reference signal	Zero pulse, width 90° \pm 10 %
Sensing method	Optical
Output frequency	\leq 300 kHz (TTL) \leq 160 kHz (HTL)
Output signals	A+, B+, R+, A-, B-, R-
Output stage	TTL/RS422 HTL/push pull
Interference immunity	DIN EN 61000-6-2
Emitted interference	DIN EN 61000-6-3
Approval	UL 508 / CSA 22.2

Features

- Size \varnothing 58 mm
- Precise optical sensing
- Output signal level TTL or HTL
- Blind or through hollow shaft, \varnothing 8...15 mm
- Connection axial, radial or tangential
- Pulses per revolution up to 5000
- High protection up to IP67
- High shock and vibration resistance

Technical data - mechanical design

Size (flange)	\varnothing 58 mm
Motor shaft tolerance	0.2 mm axial 0.03 mm radial
Protection DIN EN 60529	IP 65 (without shaft seal), IP 67 (with shaft seal)
Starting torque	\leq 0.02 Nm (+20 °C, IP 65) \leq 0.025 Nm (+20 °C, IP 67)
Materials	Housing: aluminium die-cast Flange: aluminium
Operating temperature	-40...+85 °C
Relative humidity	90 % non-condensing
Resistance	DIN EN 60068-2-6 Vibration 30 g, 10-2000 Hz DIN EN 60068-2-27 Shock 250 g, 6 ms
Connection	Flange connector M12, 8-pin Flange connector M23, 12-pin Cable
Weight approx.	300 g

EIL580 - blind hollow shaft

Shaft type	\varnothing 8...15 mm (blind hollow shaft)
Operating speed	\leq 6000 rpm (+20 °C, IP 67) \leq 8000 rpm (+20 °C, IP 65)

EIL580 - through hollow shaft

Shaft type	\varnothing 8...15 mm (through hollow shaft)
Operating speed	\leq 3000 rpm (+20 °C, IP 67) \leq 6000 rpm (+20 °C, IP 65)

Incremental encoders

With blind or through hollow shaft
100...5000 pulses per revolution

EIL580 - hollow shaft

Part number

Blind hollow shaft

EIL580- **B** **.A**

Pulse number - see table

Voltage supply / output circuit

- E 5 VDC, TTL/RS422, 6 channel**
- H 8...30 VDC, TTL/RS422, 6 channel
- N 8...30 VDC, HTL/push pull, 6 channel**
- Q 4.75...30 VDC, HTL/push pull, 6 channel

Connection

- R Cable radial, 1 m**
- L Cable radial, 2 m
- F Flange connector M23, 12-pin, radial, pin terminals, ccw**
- B Flange connector M12, 8-pin, radial, pin terminals, ccw
- T Cable axial, 1 m
- U Cable axial, 2 m
- D Flange connector M23, 12-pin, axial, pin terminals, ccw
- A Flange connector M12, 8-pin, axial, pin terminals, ccw
- P Cable tangential, 1 m
- Q Cable tangential, 2 m

Protection

- 5 IP 65**
- 7 IP 67

Specification hollow shaft

- 08 ø8 mm, clamping ring at A side | U4 ø1/2" (12.7 mm), clamping ring at A side
- U3 ø3/8" (9,52 mm), clamping ring at A side | **14 ø14 mm, clamping ring at A side**
- 10 ø10 mm, clamping ring at A side** | **15 ø15 mm, clamping ring at A side**
- 12 ø12 mm, clamping ring at A side**

Flange

- N Without stator coupling
- T With stator coupling ø63 mm**
- P Pin torque support 3 mm, axial/radial

Shaft type

- B Blind hollow shaft

Printed in **bold** = standard items (up to the quantity of 10 will be supplied within 5 working days).

Pulse number

100	300	720	1250	2500
120	360	800	1440	3000
150	400	900	1500	3600
200	500	1000	1800	4000
250	512	1024	2000	4096
256	600	1200	2048	5000

Stock items

EIL580-BT12.5FE.01024.A	EIL580-BT12.5FE.02048.A
EIL580-BT12.5FN.01024.A	EIL580-BT12.5FN.02048.A
EIL580-BT14.5FE.01024.A	EIL580-BT14.5FE.02048.A
EIL580-BT14.5FN.01024.A	EIL580-BT14.5FN.02048.A

Numerous stock items in single quantity will be supplied within 24 hours respectively one day ex works.

Incremental encoders

With blind or through hollow shaft

100...5000 pulses per revolution

EIL580 - hollow shaft

Part number

Through hollow shaft

EIL580-

T			.			.			.A
---	--	--	---	--	--	---	--	--	----

Pulse number - see table

Voltage supply / output circuit

- E 5 VDC, TTL/RS422, 6 channel**
- H 8...30 VDC, TTL/RS422, 6 channel
- N 8...30 VDC, HTL/push pull, 6 channel**
- Q 4.75...30 VDC, HTL/push pull, 6 channel

Connection

- R Cable radial, 1 m**
- L Cable radial, 2 m
- F Flange connector M23, 12-pin, radial, pin terminals, ccw**
- B Flange connector M12, 8-pin, radial, pin terminals, ccw
- P Cable tangential, 1 m
- Q Cable tangential, 2 m

Protection

- 5 IP 65**
- 7 IP 67

Specification hollow shaft

- | | |
|---------------------------------------------|---------------------------------------------|
| 08 ø8 mm, clamping ring at A side | U4 ø1/2" (12.7 mm), clamping ring at A side |
| U3 ø3/8" (9,52 mm), clamping ring at A side | 14 ø14 mm, clamping ring at A side |
| 10 ø10 mm, clamping ring at A side | 15 ø15 mm, clamping ring at A side |
| 12 ø12 mm, clamping ring at A side | |

Flange

- N Without stator coupling
- T With stator coupling ø63 mm**
- P Pin torque support 3 mm, axial/radial

Shaft type

- T Through hollow shaft

Printed in **bold** = standard items (up to the quantity of 10 will be supplied within 5 working days).

Pulse number

100	300	720	1250	2500
120	360	800	1440	3000
150	400	900	1500	3600
200	500	1000	1800	4000
250	512	1024	2000	4096
256	600	1200	2048	5000

Stock items

EIL580-TT12.5FE.01024.A	EIL580-TT12.5FE.02048.A
EIL580-TT12.5FN.01024.A	EIL580-TT12.5FN.02048.A
EIL580-TT14.5FE.01024.A	EIL580-TT14.5FE.02048.A
EIL580-TT14.5FN.01024.A	EIL580-TT14.5FN.02048.A

Numerous stock items in single quantity will be supplied within 24 hours respectively one day ex works.

Incremental encoders

With blind or through hollow shaft
100...5000 pulses per revolution

EIL580 - hollow shaft

Accessories

Connectors and cables

10127844	Connection cable 2 m shielded with female connector M12, 8-pin, straight (ESG 34FH0200G)
10129332	Connection cable 5 m shielded with female connector M12, 8-pin, straight (ESG 34FH0500G)
10129333	Connection cable 10 m shielded with female connector M12, 8-pin, straight (ESG 34FH1000G)
11053961	Connection cable 2 m shielded with female connector M12, 8-pin, angled (ESW 33FH0200G)
11053962	Connection cable 5 m shielded with female connector M12, 8-pin, angled (ESW 33FH0500G)
10170054	Connection cable 10 m shielded with female connector M12, 8-pin, angled (ESW 33FH1000G)
10164705	Connector M23, 12-pin
11095302	Connection cable 1 m shielded with female connector M23, 12-pin
11100408	Connection cable 2 m shielded with female connector M23, 12-pin
11100430	Connection cable 5 m shielded with female connector M23, 12-pin
11100431	Connection cable 10 m shielded with female connector M23, 12-pin

Mounting accessories

11066081	Torque arm, 1-arm, bolt circle $\varnothing 82$ mm, mounting M4 (mounting kit 003)
11066083	Torque arm, 1-arm, bolt circle $\varnothing 74...94$ mm, mounting M4/M5 (mounting kit 006)
11073119	Torque arm, 1-arm, bolt circle $\varnothing 64.5...281$ mm, mounting M4, can be cut to length (mounting kit 021)
11067367	Torque arm, 1-arm, bolt circle $\varnothing 74...94$ mm, mounting M6 (mounting kit 028)
11113210	Torque arm, 1-arm, bolt circle $\varnothing 63...94$ mm, mounting M4 (mounting kit 047)
11100198	Stator coupling, 2-armed, bolt circle $\varnothing 63$ mm, mounting M3 (mounting kit 046)
11106627	Fan Cover Clip 8 mm
11094674	Clamping ring 12/31/ 8 M3 8.8 for EIL580 hollow shaft $\varnothing 8...10$ mm
11094675	Clamping ring 17/31/ 8 M3 8.8 for EIL580 hollow shaft $\varnothing 12...15$ mm

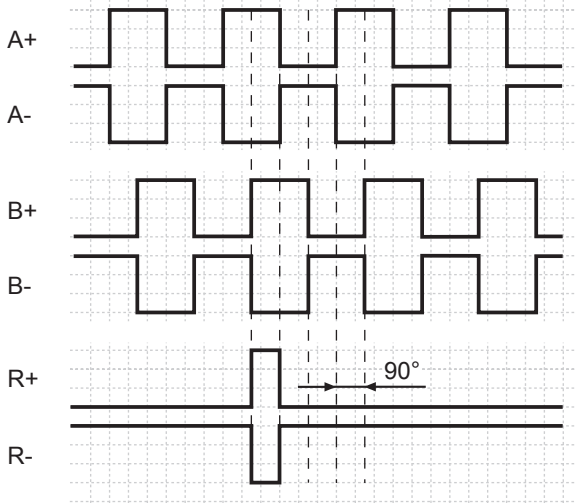
Incremental encoders

With blind or through hollow shaft
100...5000 pulses per revolution

EIL580 - hollow shaft

Output signals

Clockwise rotating direction when looking at flange.



Trigger level

Outputs	TTL/RS422
Output level High	$\geq 2.5 \text{ V}$
Output level Low	$\leq 0.5 \text{ V}$
Load	$\leq 20 \text{ mA}$

Outputs	HTL/Push-pull
Output level High	$\geq U_B - 3 \text{ V}$
Output level Low	$\leq 1.5 \text{ V}$
Load	$\leq 20 \text{ mA}$

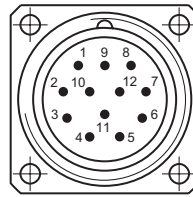
Terminal assignment

Flange connector M23, 12-pin / cable

Pin	Core color	Assignment
1	pink	B-
2	–	–
3	blue	R+
4	red	R-
5	green	A+
6	yellow	A-
7	–	–
8	grey	B+
9	–	–
10	white	GND
11	–	–
12	brown	UB

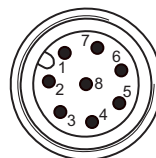
Screen: Connected to housing

Cable data: PVC, 4x2x0.14 mm², bending radius >32.5 mm
Outer diameter 6.5 mm



Flange connector M12, 8-pin

Pin	Assignment
1	GND
2	UB
3	A+
4	A-
5	B+
6	B-
7	R+
8	R-



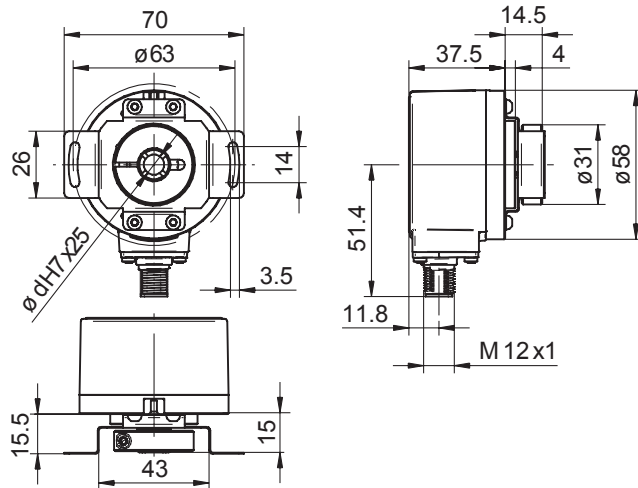
Incremental encoders

With blind or through hollow shaft
100...5000 pulses per revolution

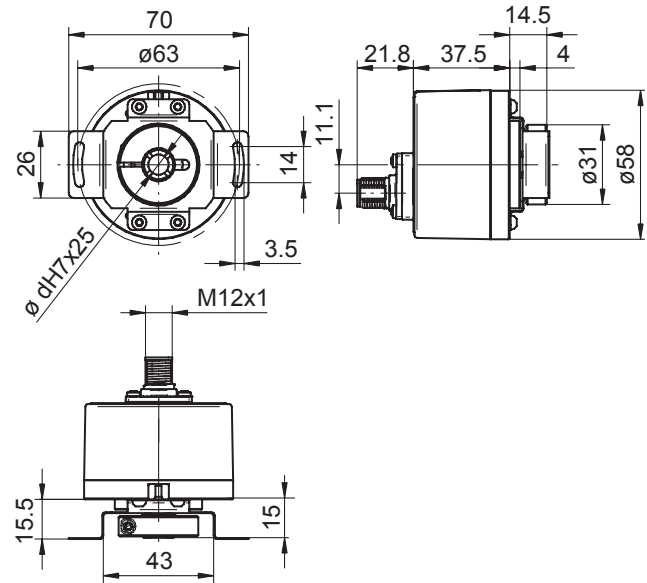
EIL580 - hollow shaft

Dimensions

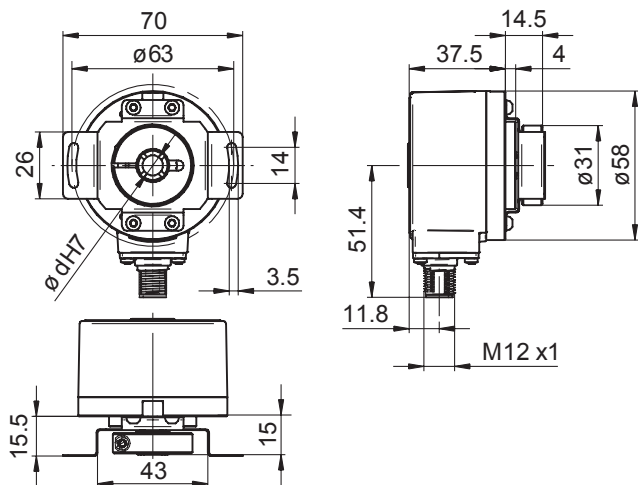
Blind hollow shaft, flange connector M12 radial



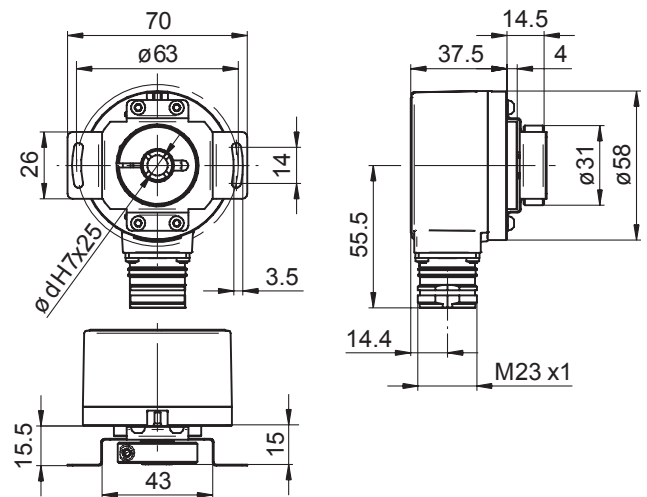
Blind hollow shaft, flange connector M12 axial



Through hollow shaft, flange connector M12 radial



Blind hollow shaft, flange connector M23 radial



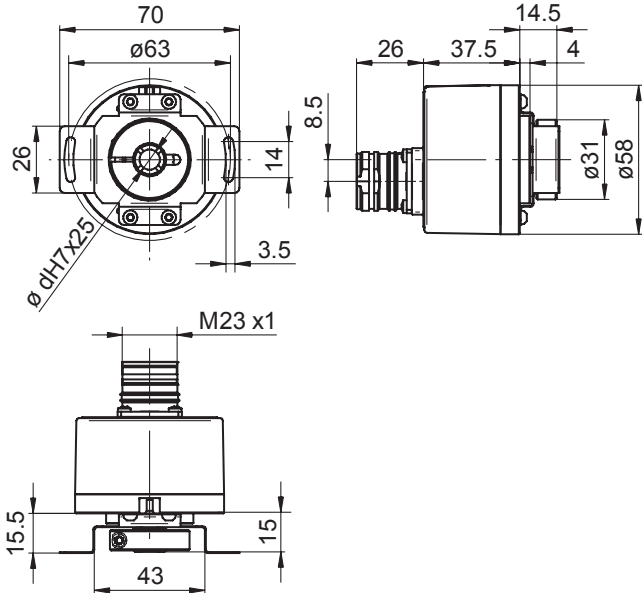
Incremental encoders

With blind or through hollow shaft
100...5000 pulses per revolution

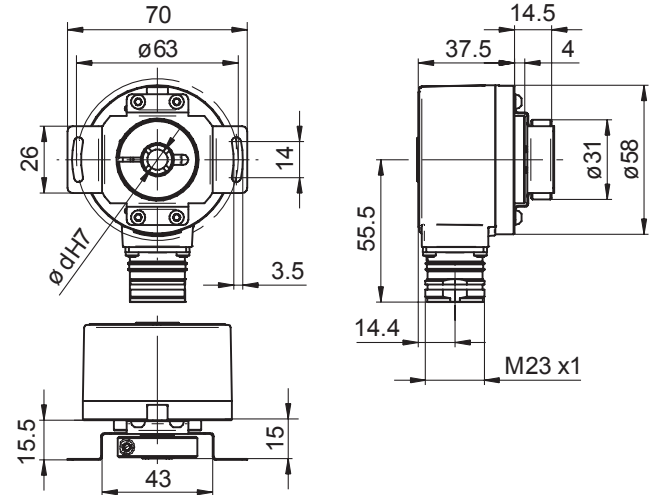
EIL580 - hollow shaft

Dimensions

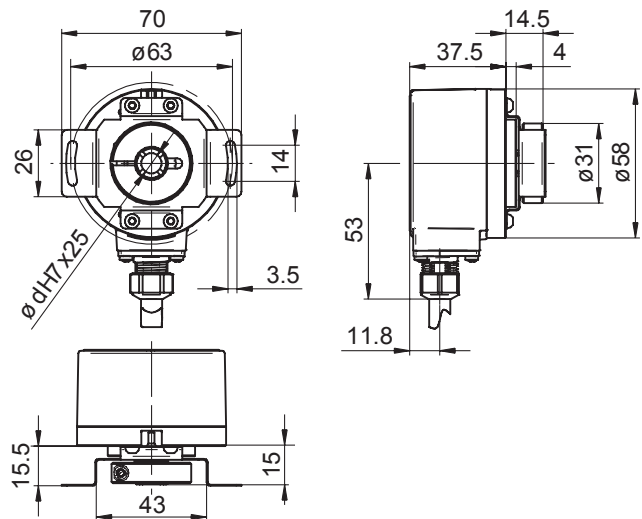
Blind hollow shaft, flange connector M23 axial



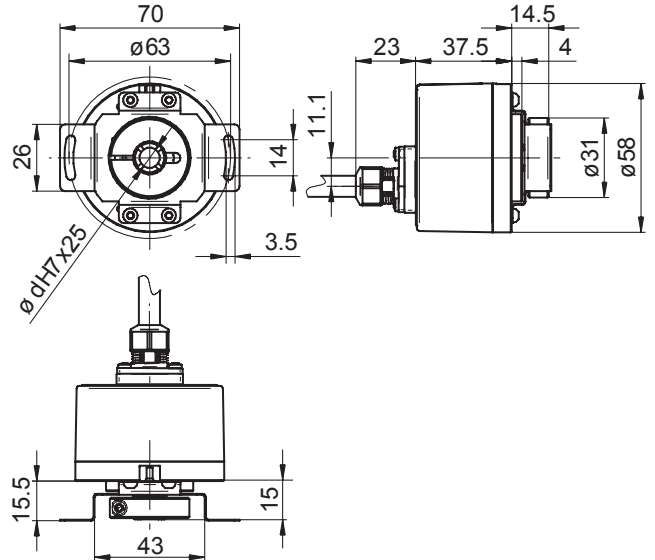
Through hollow shaft, flange connector M23 radial



Blind hollow shaft, cable radial



Blind hollow shaft, cable axial



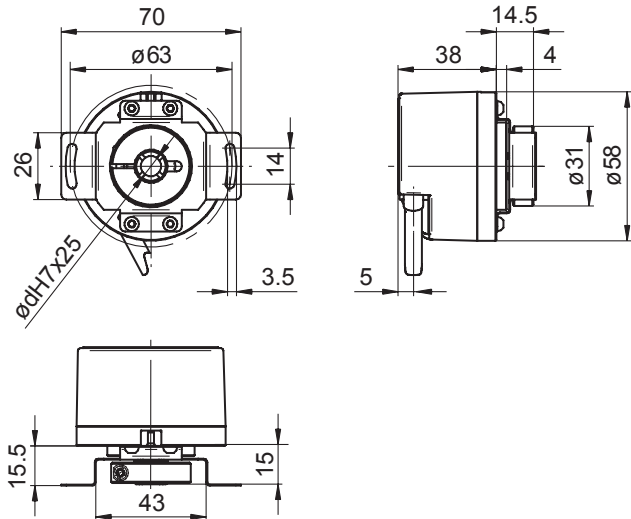
Incremental encoders

With blind or through hollow shaft
100...5000 pulses per revolution

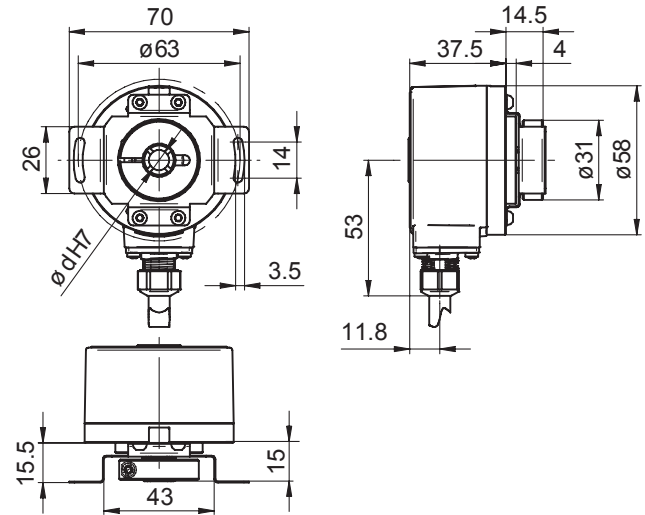
EIL580 - hollow shaft

Dimensions

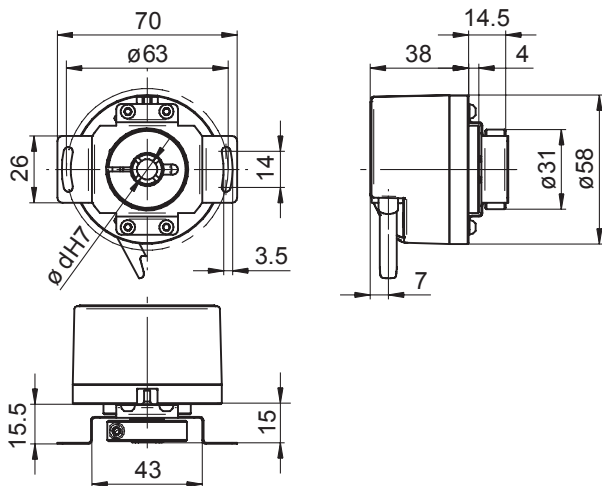
Blind hollow shaft, cable tangential



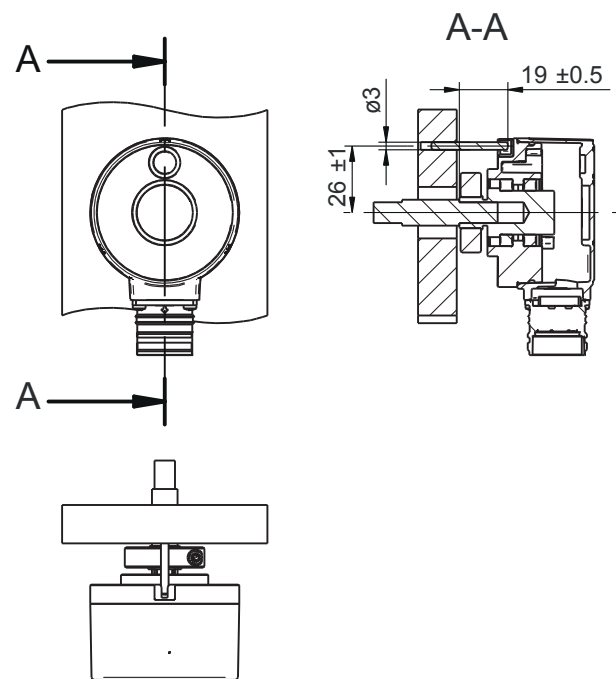
Through hollow shaft, cable radial



Through hollow shaft, cable tangential



Pin torque support, axial



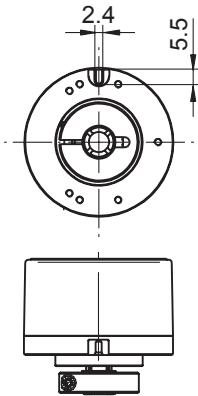
Incremental encoders

With blind or through hollow shaft
100...5000 pulses per revolution

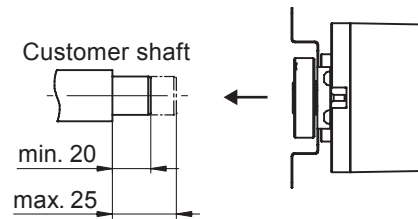
EIL580 - hollow shaft

Dimensions

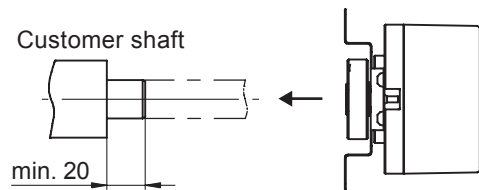
Pin torque support, radial



Blind hollow shaft



Through hollow shaft



Incremental encoders

With blind or through hollow shaft
100...5000 pulses per revolution

EIL580 - hollow shaft

Dimensions